

SOVEREIGN 2000

4A St Luke's Avenue, Maidstone, Kent. ME14 5AL Tel/Fax: +44 (0)1622 669853 Web: www.sovereign2000.uk.com

Dear Customer,

Thank you for purchasing an S2K product. If you have any problems or require further information on this or any other products in the S2K range, please contact us by any of the means listed above.

PLEASE READ CAREFULLY.

SAFETY FIRST!

When cleaning up resin parts a certain amount of dust will be created. Resin dust can be harmful so we recommend the use of a dust mask while performing this task. Think also of those around you by finding a suitable area for the job. Take similar precautions with any other substances such as adhesives and paints etc. Your kit will contain a number of small parts, which may be easily swallowed so keep these out of reach of small children and or animals.

BEFORE YOU BEGIN.

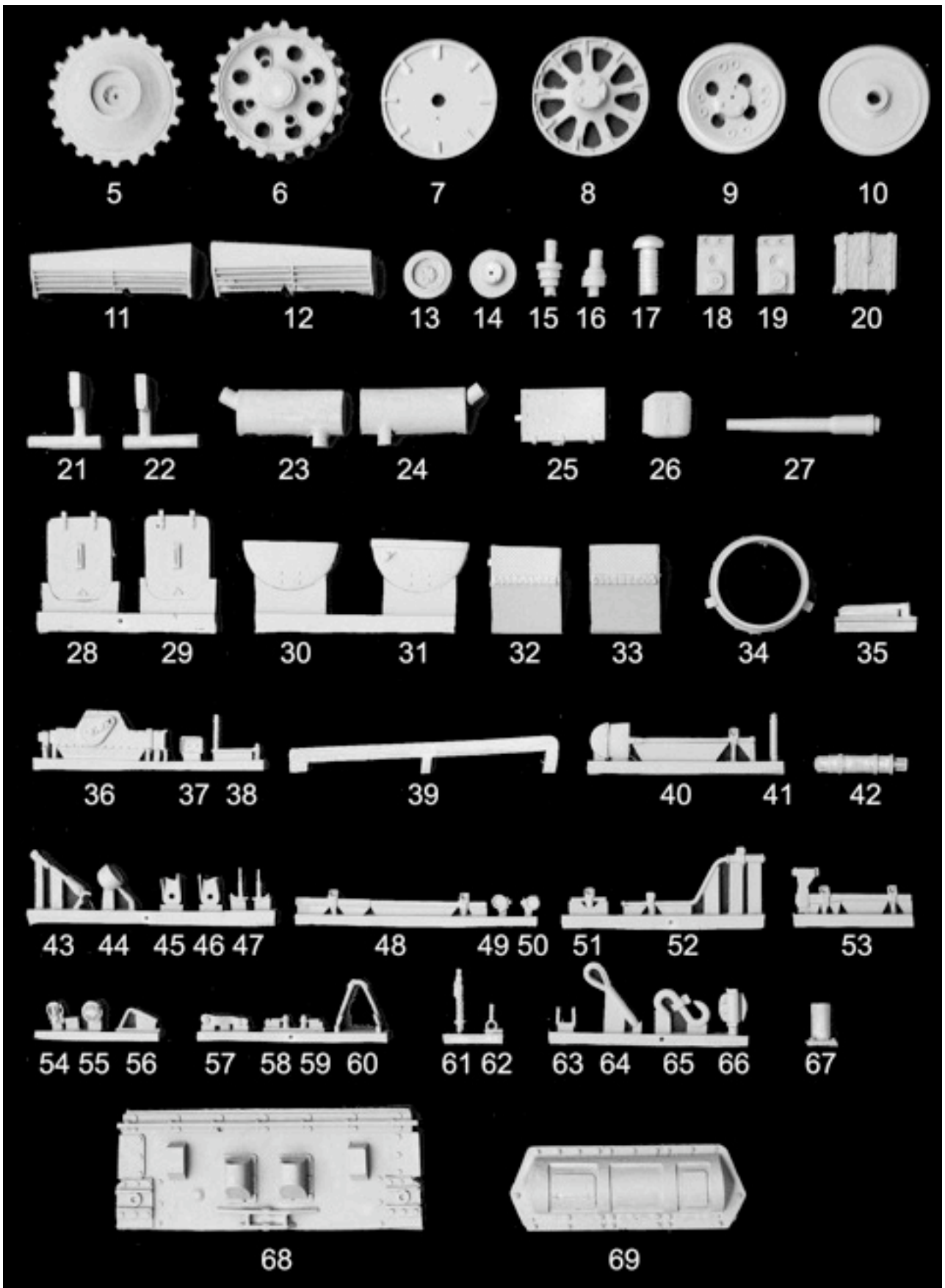
Before assembly, gently wash all resin parts in warm (not hot) soapy water to remove any mould release agent, which may affect paints. Do not attempt to remove casting blocks from resin parts by snapping as this can often damage the part. For this task we recommend the use of a razor saw or similar tool. For best results use cyanoacrylate (super glue) for assembly. Two part epoxy glues may be of use for attaching larger parts.

Thank you for your attention.

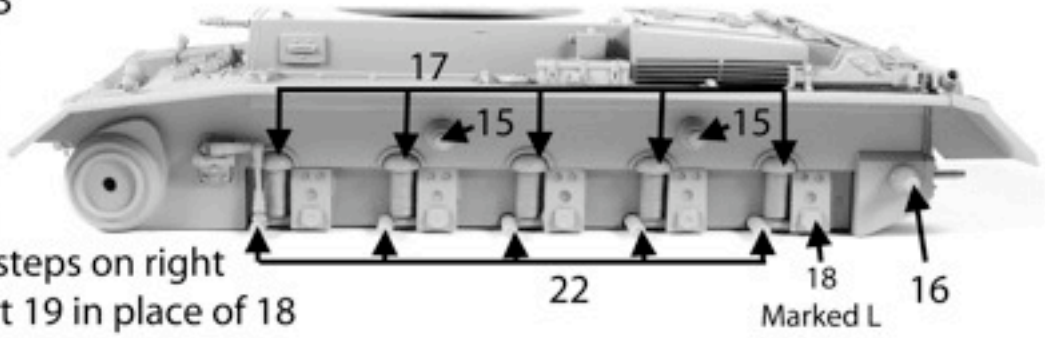
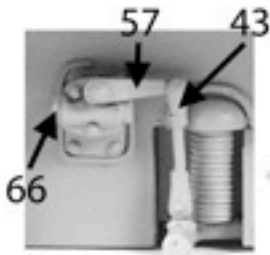
Happy modelling. Marc Day.

Pz Kpfw III Ausf A

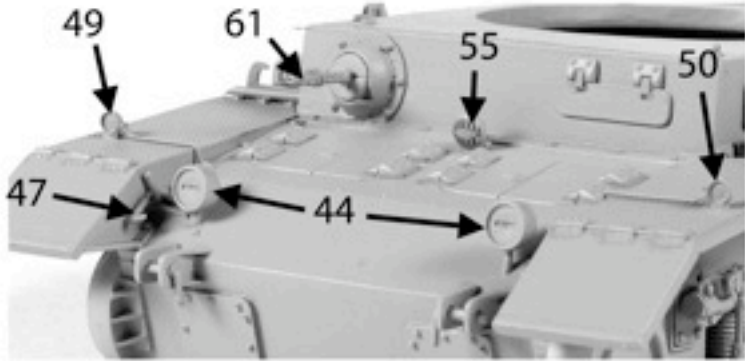
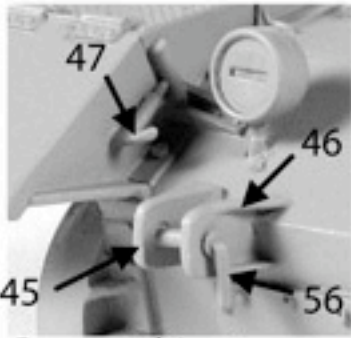
Part No	Description	Part No	Description	Part No	Description
1	Hull upper	24	Exhaust box	47	Mudguard retainer x 4
2	Hull lower	25	Tool box	48	Crow bar
3	Turret upper	26	Gun housing	49	Side light right
4	Turret lower	27	Gun barrel	50	Side light left
5	Drive sprocket inner x 2	28	Turret door	51	Track tool bar
6	Drive sprocket outer x 2	29	Turret door	52	Starting handle
7	Idler inner x 2	30	Cupola hatch cover	53	Axe
8	Idler outer x 2	31	Cupola hatch cover	54	Antenna base
9	Road wheel outer x 10	32	Mudguard right	55	Horn
10	Road wheel inner x 10	33	Mudguard left	56	Towing bracket pin x 3
11	Air intake	34	Cupola	57	Shock absorber link x 2
12	Air intake	35	Fender bracket x 8	58	Turret door retainer left
13	Return roller outer x 4	36	Jack	59	Turret door retainer right
14	Return roller inner x 4	37	Jack end plate	60	Track tool
15	Return roller axle x 4	38	Jack handle	61	Machine gun x 3
16	Idler axle x 2	39	Antenna trough	62	Tow cable clamp x 4
17	Spring x 10	40	Shovel	63	Cupola bracket x 2
18	Suspension housing marked L x 10	41	Track tensioning rod x 2	64	Tow cable end x 2
19	Suspension housing x 10	42	Fire extinguisher x 2	65	Shackle
20	Jack block	43	Shock absorber arm x 2	66	Shock absorber
21	Suspension arm right x 5	44	Headlight x 2	67	Antenna base
22	Suspension arm left x 5	45	Towing bracket left x 2	68	Hull rear panel
23	Exhaust box	46	Towing bracket right x 2	69	Mantlet



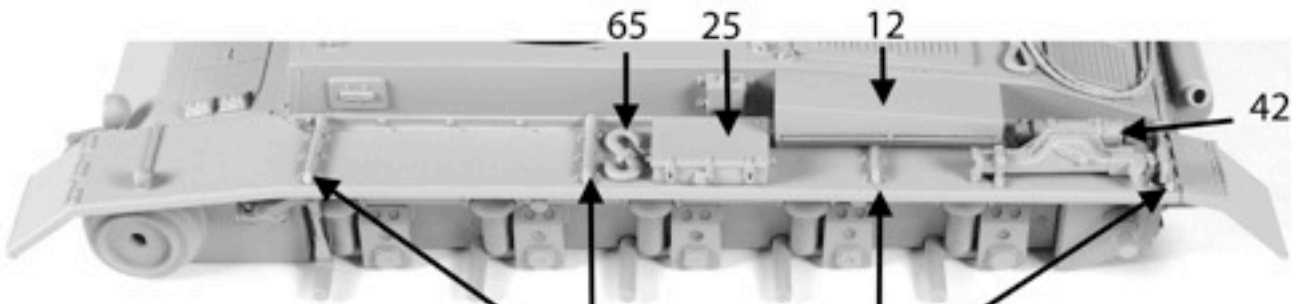
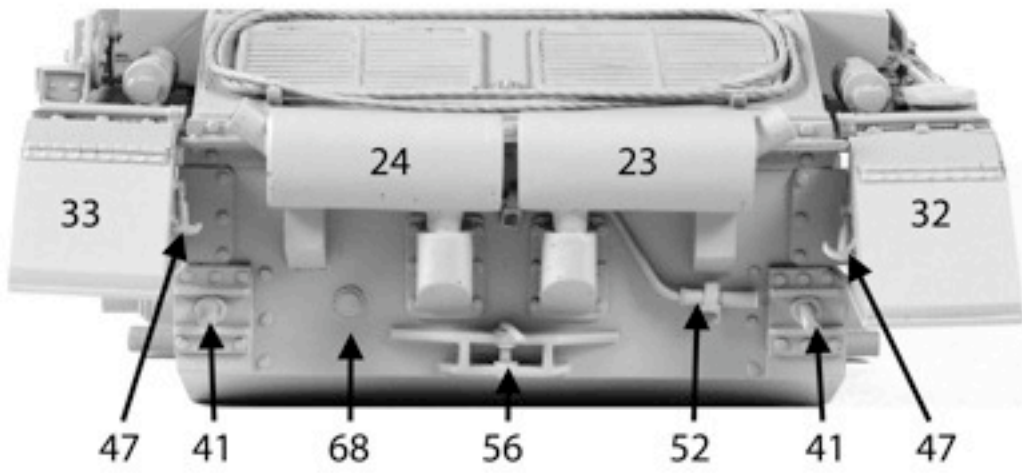
Parts not pictured are 1, 2, 3 and 4.



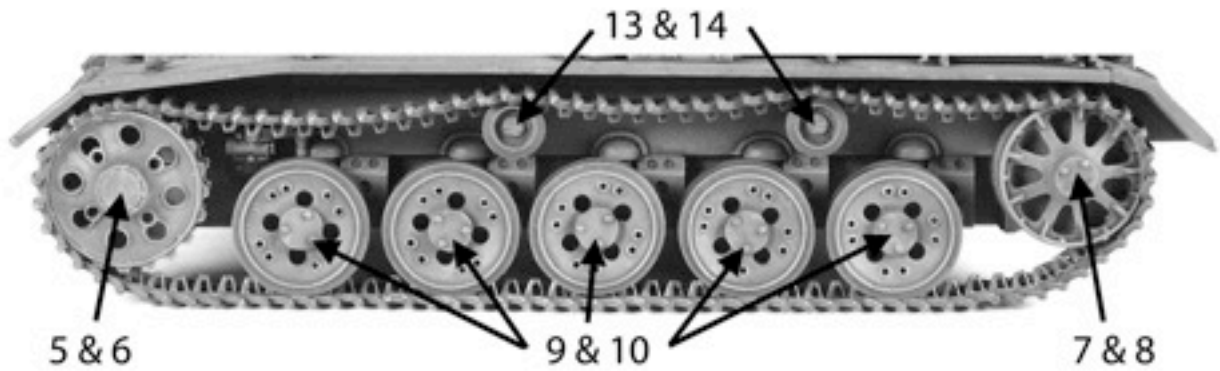
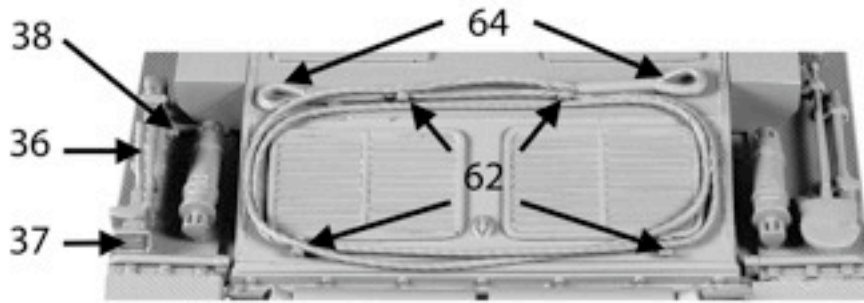
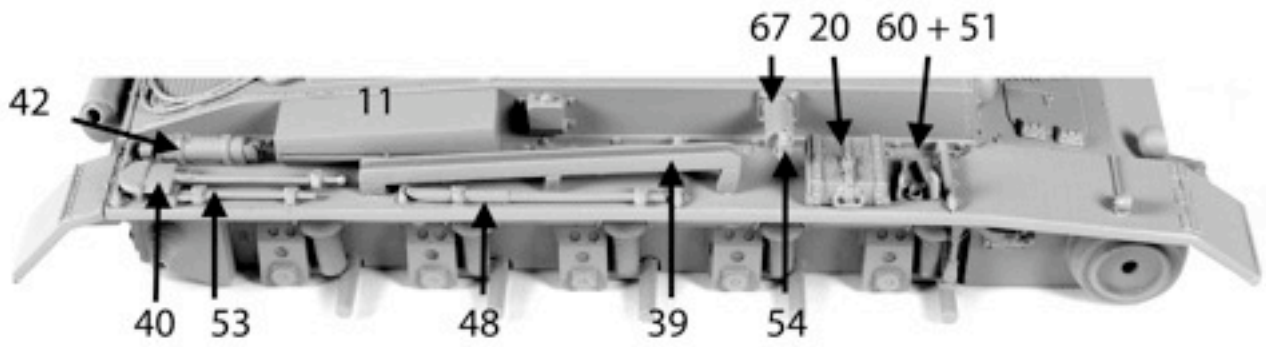
Repeat these steps on right side using part 19 in place of 18



Repeat this stage on the opposite side



35 Repeat on the other side



Fit part 4 to underside of turret

