

# SOVEREIGN S2K 2000

4A St Luke's Avenue, Maidstone, Kent. ME14 5AL Tel/Fax: +44 (0)1622 669853 Web: www.sovereign2000.uk.com

Dear Customer,

Thank you for purchasing an S2K product. If you have any problems or require further information on this or any other products in the S2K range, please contact us by any of the means listed above.

## PLEASE READ CAREFULLY.

### SAFETY FIRST!

When cleaning up resin parts a certain amount of dust will be created. Resin dust can be harmful so we recommend the use of a dust mask while performing this task. Think also of those around you by finding a suitable area for the job. Take similar precautions with any other substances such as adhesives and paints etc. Your kit will contain a number of small parts, which may be easily swallowed so keep these out of reach of small children and or animals.

### BEFORE YOU BEGIN.

Before assembly, gently wash all resin parts in warm (not hot) soapy water to remove any mould release agent, which may affect paints. Do not attempt to remove casting blocks from resin parts by snapping as this can often damage the part. For this task we recommend the use of a razor saw or similar tool. For best results use cyanoacrylate (super glue) for assembly. Two part epoxy glues may be of use for attaching larger parts.

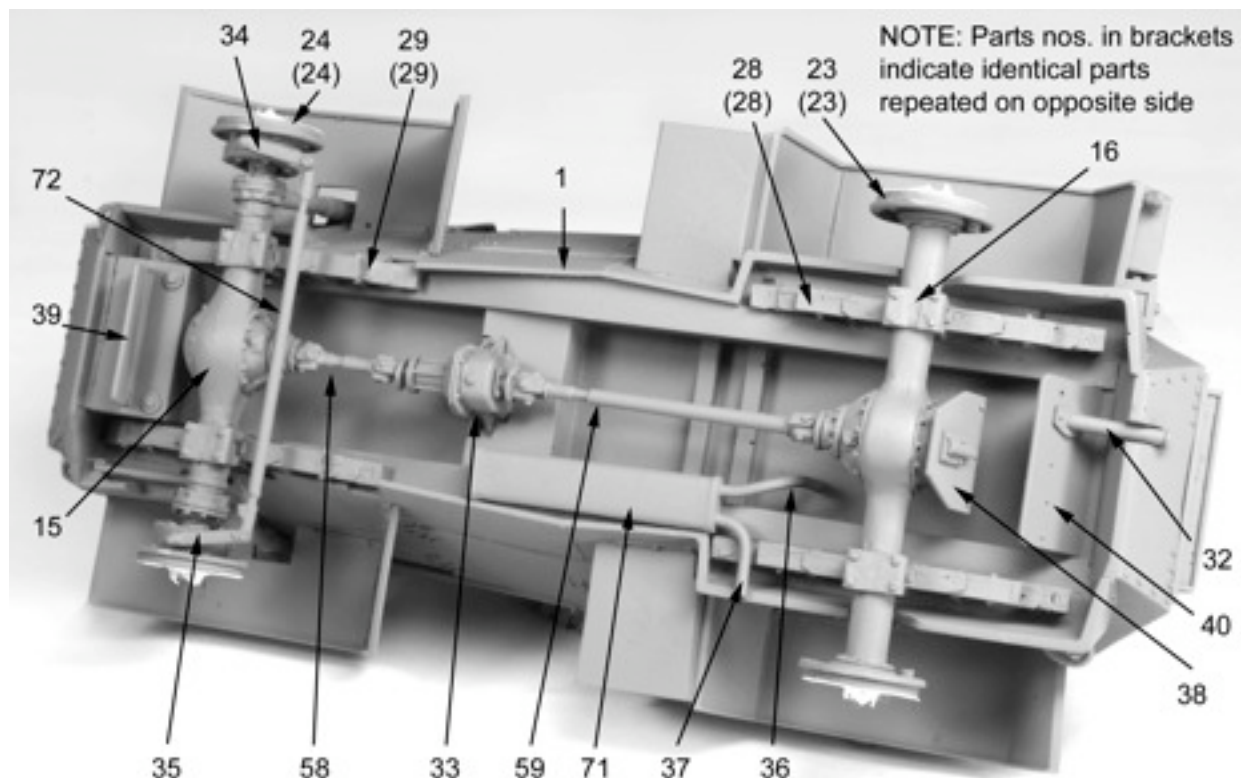
Thank you for your attention.

Happy modelling.

Marc Day.

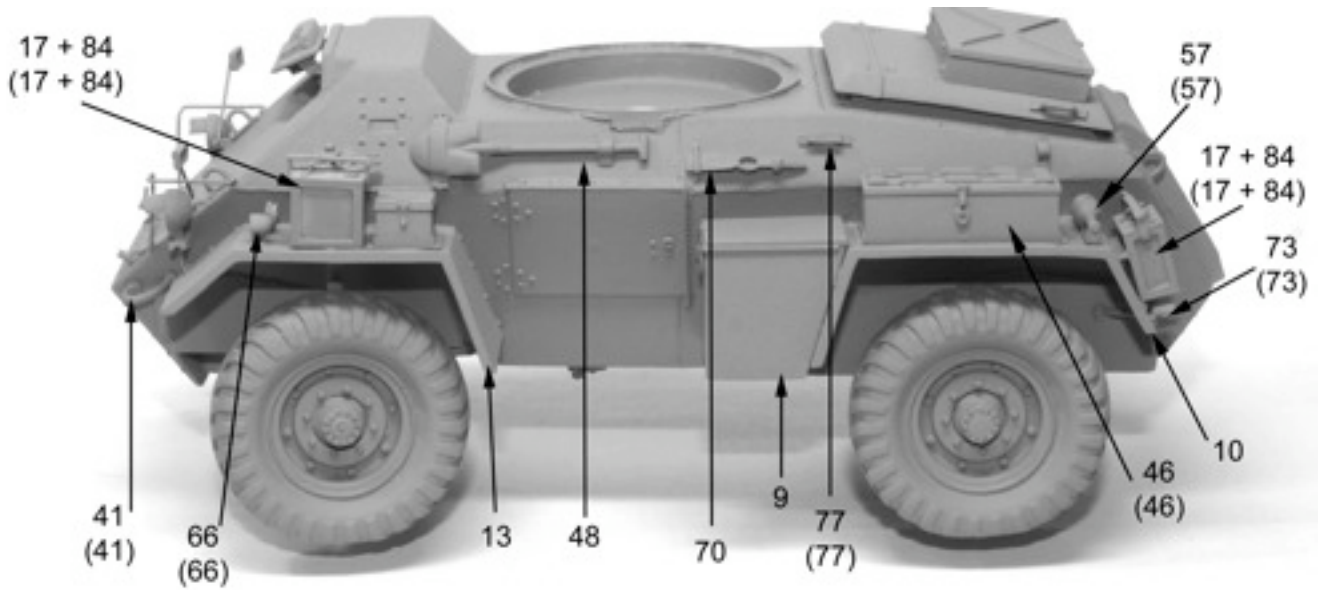
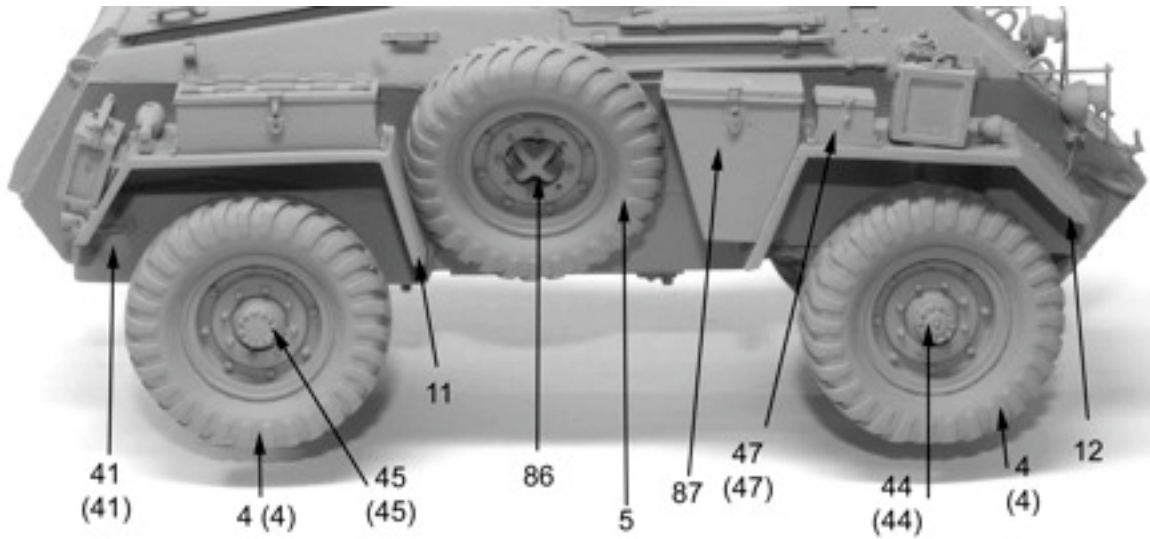
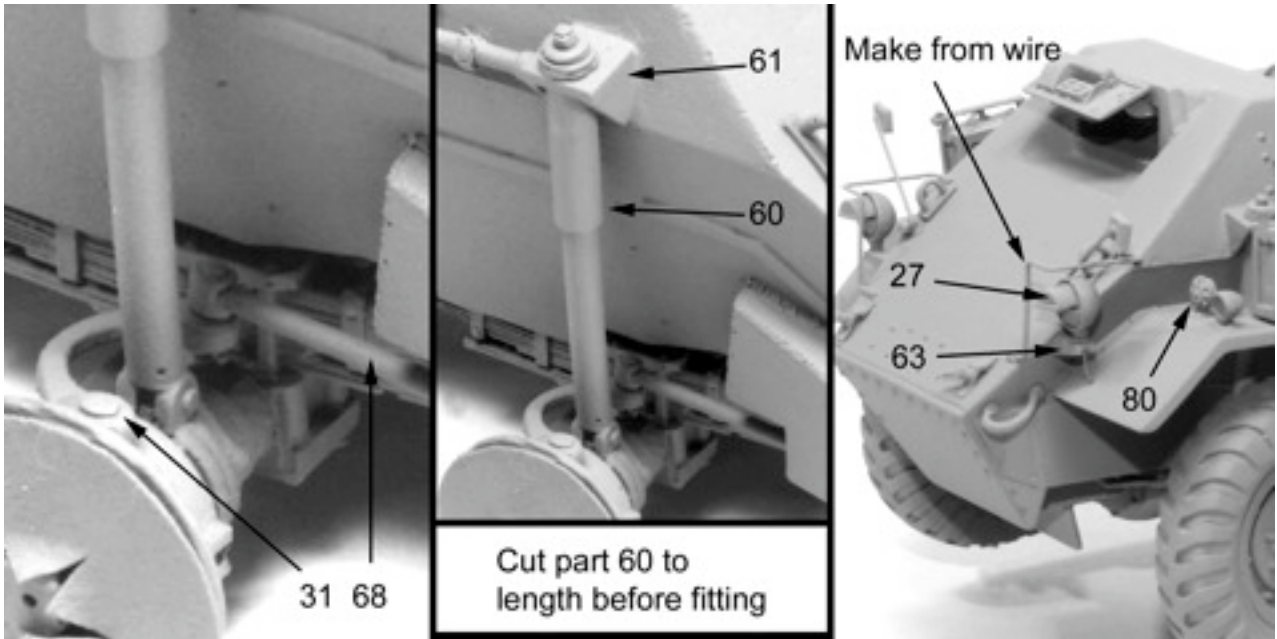
## Humber MK IV

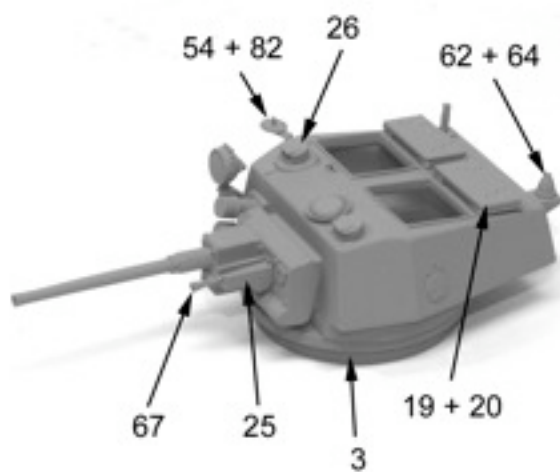
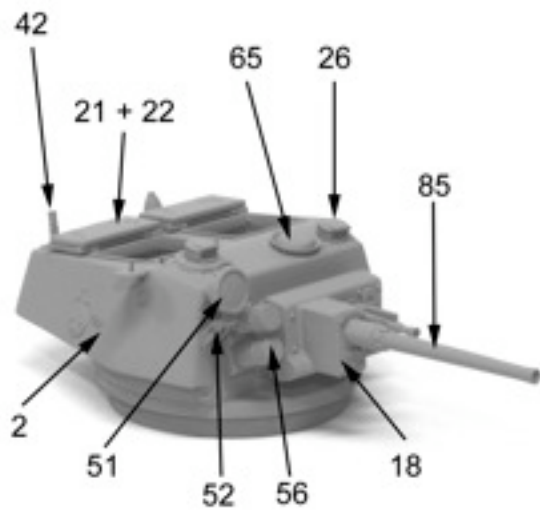
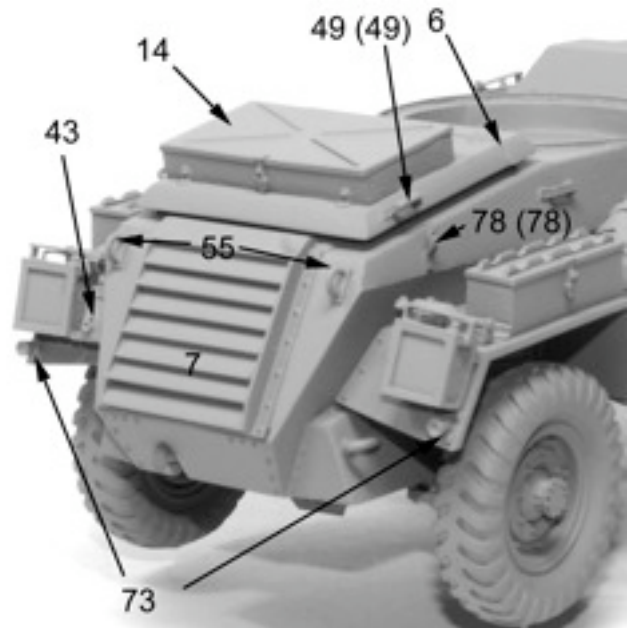
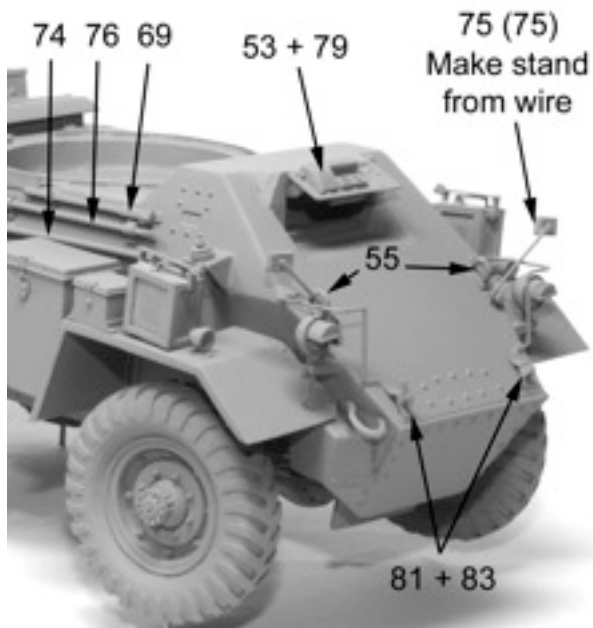
Master by Marc Day



### Setting Steering

Drill parts 34 & 15 (1mm) to receive parts 34 & 35. Align hubs (23) on axle and insert track rod arms (34 & 35) allowing arms to swivel. Align hubs to chosen steering position and cement. Align track rod arms, fit track rod 72 and cement all.

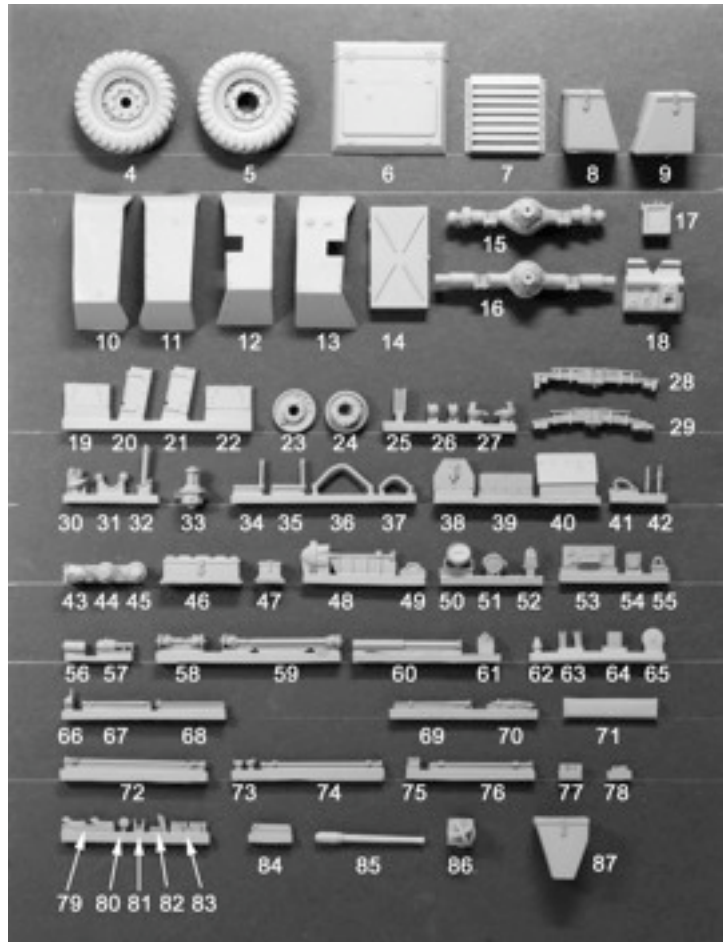




Drivers visor may be fitted open or closed.  
 When closed use only part 53.  
 When fitting in open position insert drivers  
 head (30) after painting then assemble parts  
 53 + 79 x2 and install



Turret hatches maybe fitted in open or closed position



### Parts List

1. Hull (not shown)	23. Wheel hub rear x 2	45. Centre hub rear x 2	67. M.G
2. Turret upper (not shown)	24. Wheel hub front x 2	46. Stowage box x 2	68. Steering link
3. Turret lower (not shown)	25. M.G housing	47. Stowage box x 2	69. Pickaxe handle
4. Wheel x 4	26. Periscope x 2	48. Shovel	70. Pickaxe
5. Spare wheel	27. Headlight x 2	49. Grab handle x 2	71. Exhaust box
6. Engine deck cover	28. Spring rear	50. Headlight (not used)	72. Tracking rod
7. Radiator louver	29. Spring front	51. Spotlight bracket	73. Tail light x 2
8. Stowage box left	30. Drivers head	52. Spotlight bracket	74. Aerial tube
9. Stowage box right	31. Steering link	53. Drivers visor	75. Mirror x 2
10. Fender right rear	32. Starter point	54. Sun compass	76. Crow bar
11. Fender left rear	33. Drive unit	55. Lifting lug x 4	77. Grab handle x 2
12. Fender right front	34. Steering arm short	56. Smoke discharger x 2	78. Tow cable retainer x 2
13. Fender left front	35. Steering arm long	57. Extinguisher x 2	79. Drivers visor bracket x 2
14. Stowage box	36. Exhaust pipe	58. Drive shaft front	80. Horn
15. Axle front	37. Exhaust pipe	59. Drive shaft rear	81. Sand channel bracket handles x 2
16. Axle rear	38. Armour plate	60. Shock absorber x 2	82. Sun compass bracket
17. Fuel can x 4	39. Splashguard front	61. Shock absorber bracket x 2	83. Sand channel bracket x 2
18. Gun mantlet	40. Splashguard rear	62. Aerial mount	84. Fuel can retaining bar x 4
19. Hatch front	41. Towing lug x 4	63. Headlight bracket x 2	85. Main gun
20. Hatch rear	42. Aerial mounts (optional)	64. Aerial mount box	86. Spare wheel bracket
21. Hatch front	43. Jack	65. Turret ventilator	87. Stowage bin
22. Hatch rear	44. Centre hub front x 2	66. Sidelight x 2	

Fuel can retaining bar x 4