

SOVEREIGN S2K 2000

4A St Luke's Avenue, Maidstone, Kent. ME14 5AL Tel/Fax: +44 (0)1622 669853 Web: www.sovereign2000.uk.com

Dear Customer,

Thank you for purchasing an S2K product. If you have any problems or require further information on this or any other products in the S2K range, please contact us by any of the means listed above.

PLEASE READ CAREFULLY.

SAFETY FIRST!

When cleaning up resin parts a certain amount of dust will be created. Resin dust can be harmful so we recommend the use of a dust mask while performing this task. Think also of those around you by finding a suitable area for the job. Take similar precautions with any other substances such as adhesives and paints etc. Your kit will contain a number of small parts, which may be easily swallowed so keep these out of reach of small children and or animals.

BEFORE YOU BEGIN.

Before assembly, gently wash all resin parts in warm (not hot) soapy water to remove any mould release agent, which may affect paints. Do not attempt to remove casting blocks from resin parts by snapping as this can often damage the part. For this task we recommend the use of a razor saw or similar tool. For best results use cyanoacrylate (super glue) for assembly. Two part epoxy glues may be of use for attaching larger parts.

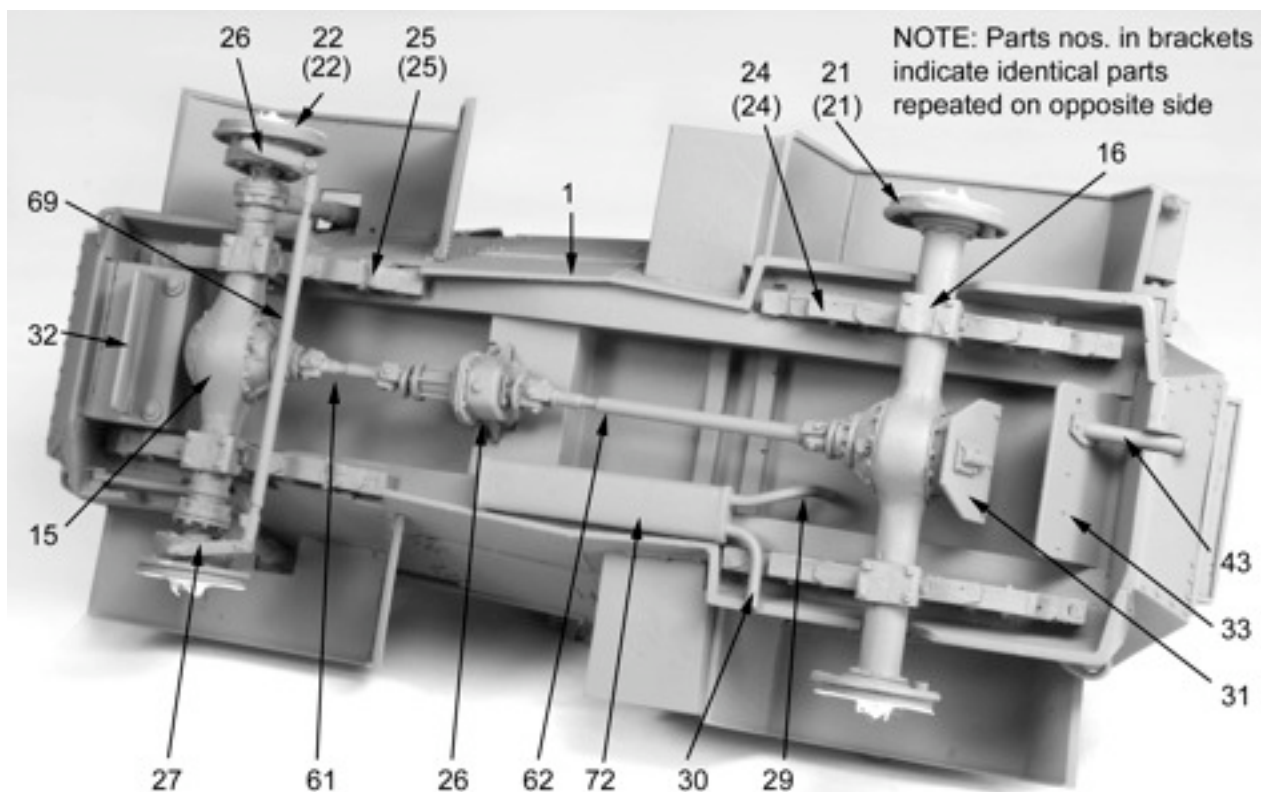
Thank you for your attention.

Happy modelling.

Marc Day.

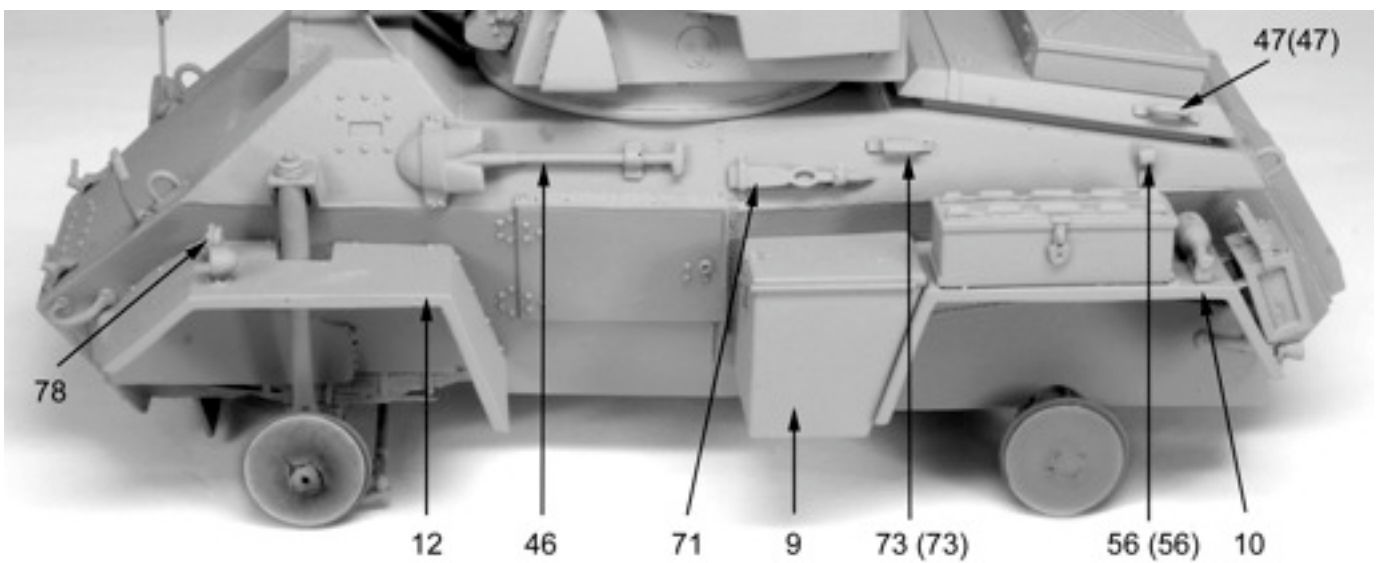
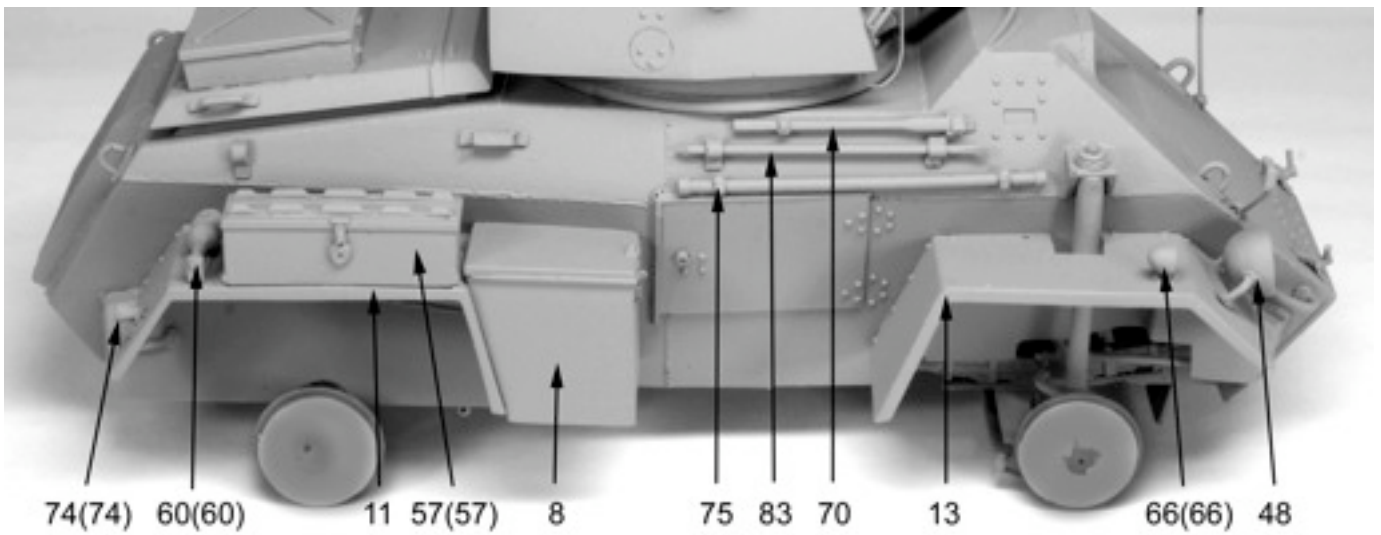
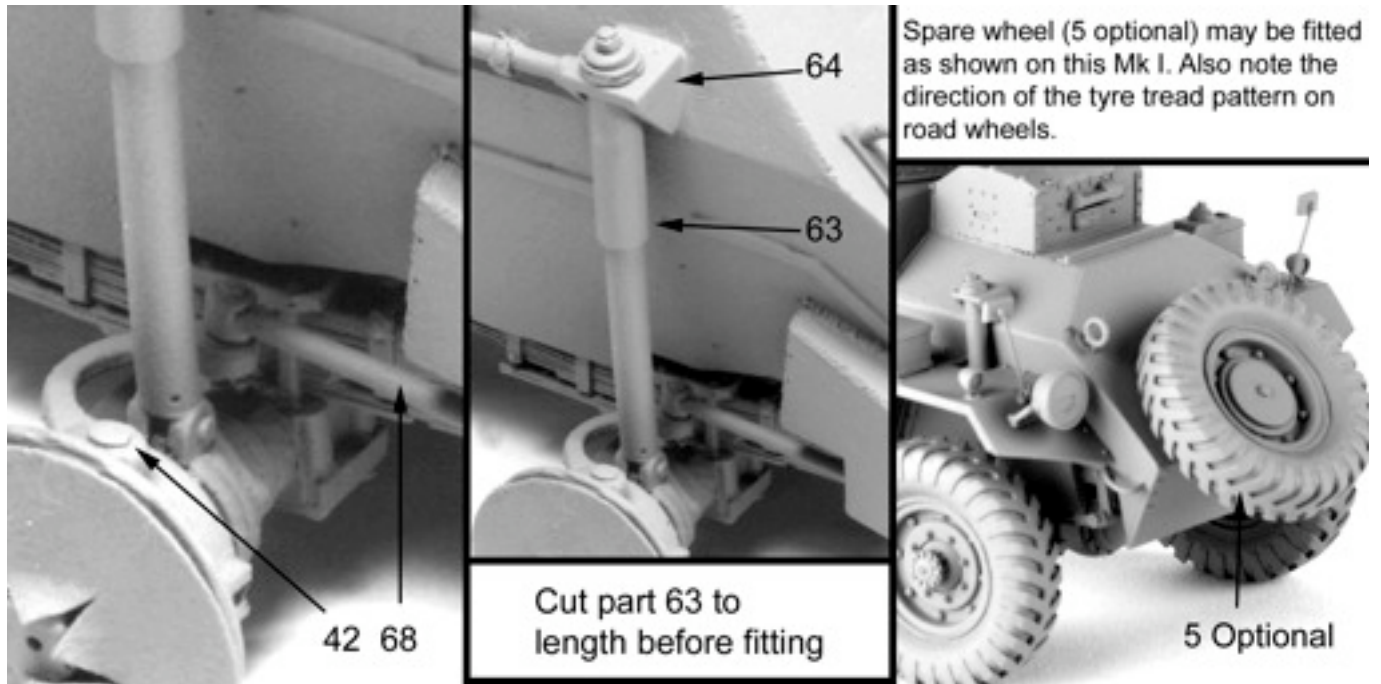
Humber MK II

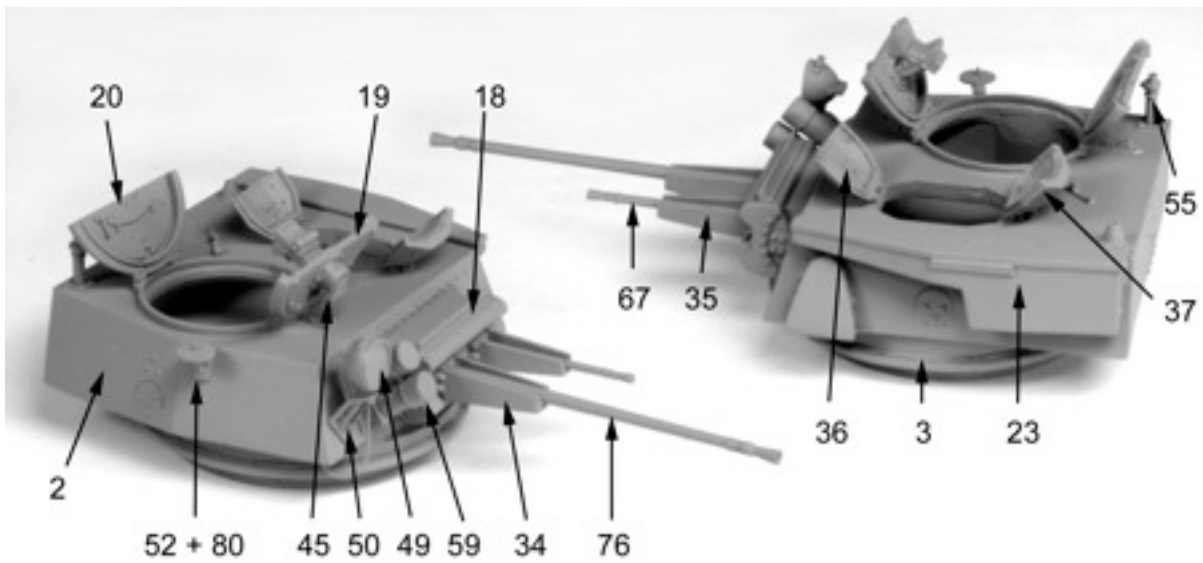
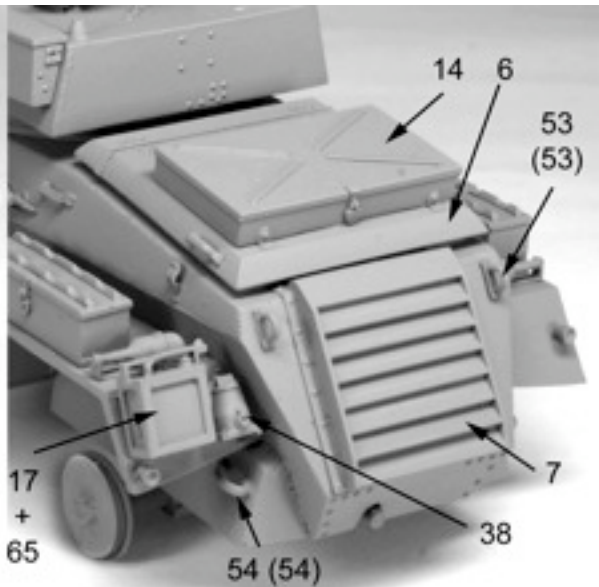
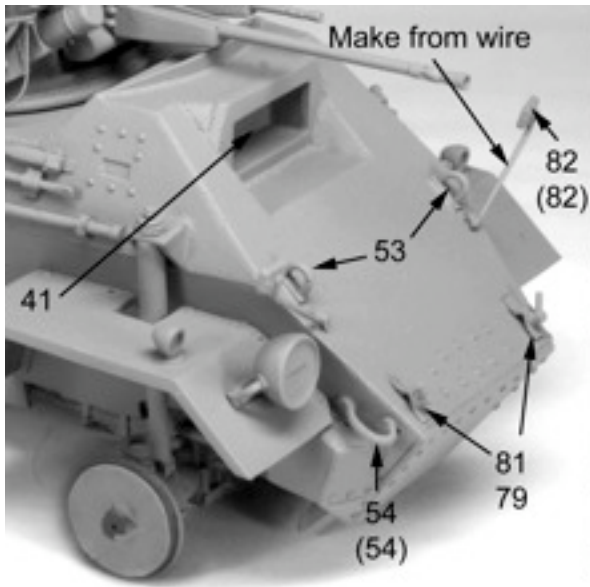
Master by Marc Day



Setting Steering

Drill parts 22 & 15 (1mm) to receive parts 27 & 28. Align hubs (22) on axle and insert track rod arms (27 & 28) allowing arms to swivel. Align hubs to chosen steering position and cement. Align track rod arms, fit track rod 68 and cement all.

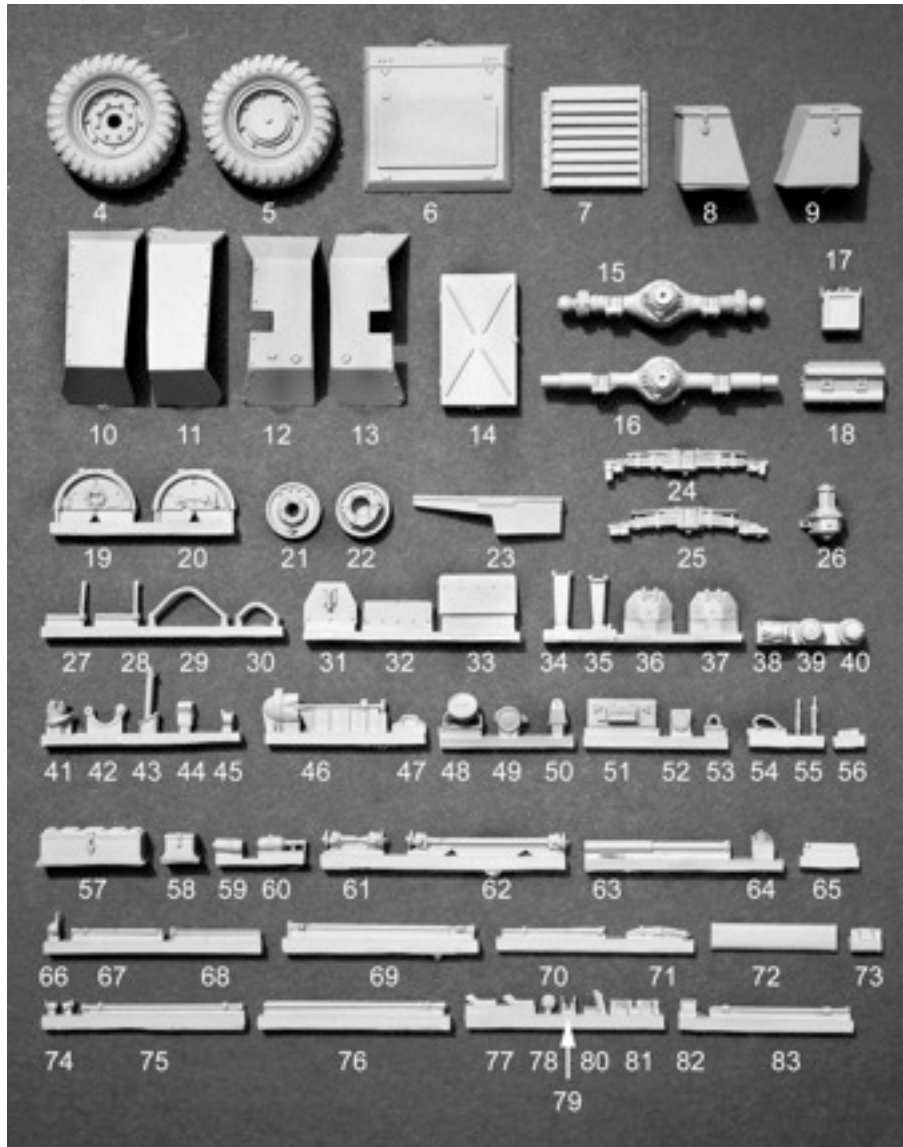




51 + 77 x2

Drivers visor may be fitted open or closed.
When closed use only part 51.
When fitting in open position insert drivers head after painting then assemble parts 51 + 77 x2 and install





Parts List

1. Hull (not shown)	22. Wheel hub rear x 2	43. Starter point	64. Shock absorber bracket x 2
2. Turret upper (not shown)	23. Stowage box turret	44. Periscope lower	65. Fuel can retaining bar x 3
3. Turret lower (not shown)	24. Spring rear x 2	45. Periscope upper	66. Sidelight x 2
4. Wheel x 4	25. Spring front x 2	46. Shovel	67. M.G
5. Spare wheel	26. Drive unit	47. Grab handle x 2	68. Steering link
6. Engine deck cover	27. Steering arm short	48. Headlight	69. Tracking rod
7. Radiator louver	28. Steering arm long	49. Spotlight	70. Pickaxe handle
8. Stowage box left	29. Exhaust pipe	50. Spotlight bracket	71. Pickaxe
9. Stowage box right	30. Exhaust pipe	51. Drivers visor	72. Exhaust box
10. Fender right rear	31. Splashguard rear	52. Sun compass	73. Grab handle x 2
11. Fender left rear	32. Splashguard front	53. Lifting lug x 4	74. Tail light x 2
12. Fender left front	33. Armour plate	54. Towing lug x 4	75. Aerial tube
13. Fender right front	34. Main gun housing	55. Aerial mounts (optional)	76. Main gun
14. Stowage box	35. M.G housing	56. Tow cable retainer x 2	77. Drivers visor bracket x 2
15. Axle front	36. Hatch cover front	57. Stowage box x 2	78. Horn
16. Axle rear	37. Hatch cover rear	58. Stowage box x 2	79. Sand channel bracket handles x 2
17. Fuel can x 3	38. Jack	59. Smoke discharger x 2	80. Sun compass bracket
18. Gun mantlet	39. Centre hub front	60. Extinguisher x 2	81. Sand channel bracket x 2
19. Hatch front	40. Centre hub rear	61. Drive shaft front	82. Mirror x 2
20. Hatch rear	41. Drivers head	62. Drive shaft rear	83. Crowbar
21. Wheel hub rear x 2	42. Steering link	63. Shock absorber x 2	